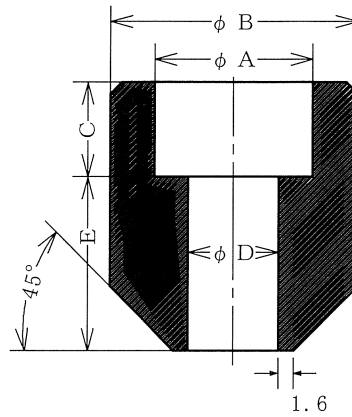




さし込み溶接形ボス
SOCKET-WELDING BOSSES

SWBH
(BOSSES)

JIS B2316



SW BH

UNIT : mm

NOM. SIZE		Sch 80				
(A)	(B)	B	A	D	C	E
8	1/4	22.0	14.3	9.4	12.0	15.9
10	3/8	28.0	17.8	12.7	13.0	17.5
15	1/2	32.0	22.2	16.1	13.0	22.2
20	3/4	38.0	27.7	21.4	16.0	23.8
25	1	46.0	34.5	27.2	17.0	28.6
32	1-1/4	58.0	43.2	35.5	18.0	30.2
40	1-1/2	63.0	49.1	41.2	20.0	31.8
50	2	76.0	61.1	52.7	23.0	41.3
NOM. SIZE		Sch 160				
(A)	(B)	B	A	D	C	E
15	1/2	38.0	22.2	12.3	15.0	22.2
20	3/4	46.0	27.7	16.2	16.0	23.8
25	1	58.0	34.5	21.2	18.0	28.6
32	1-1/4	63.0	43.2	29.9	20.0	30.2
40	1-1/2	76.0	49.1	34.4	21.0	31.8

ヤマト特殊鋼株式会社
YAMATO SPECIAL STEEL CO., LTD.

Sheet No. JW-7

平成22年1月5更新